

SKIPPER

DL1

Single Axis Speed through water Doppler Speed Log



The SKIPPER DL1 is a single axis speed log, working on the Doppler principle, providing longitudinal ship's speed and distance relative to sea water. The SKIPPER DL1 gives accurate navigation parameters, measured as they happen, and presented in a logical, user friendly way.

SKIPPER Electronics manufacture marine electronics for the merchant fleet as well as the fishing fleet, based on experience, research and tradition. Our products are known worldwide for reliability, sophistication and good value for money.

Features:

Speed through water

Water temperature

Interfaces - NMEA 0183

Display - 28 x 30 LED dot matrix with full night dimming

3 easy to use, user programmable displays, integrated menus

Fully automatic settings

Mounting options - Tank, Sea valve for single or double bottom hull designs

Can retrofit to EML224 system

Doppler technology is considered as a good solution for speed log requirements.

The SKIPPER DL1 measures the speed of the vessel through the water at depths >3m below the sensor.

The system includes a single sensor mounted in a tank or sea valve. The display housing can be mounted anywhere on the bridge and a connection box can be placed wherever it is most convenient for connection. A COM port within the connection box allows for easy installation and diagnostics from a laptop with a RS-232 COM port.

Not only does the SKIPPER DL1 present the critical=important parameters on screen, but can be interfaced with bridge systems and repeaters. The SKIPPER DL1 can also present speed, distance and temperature from the NMEA Interface.

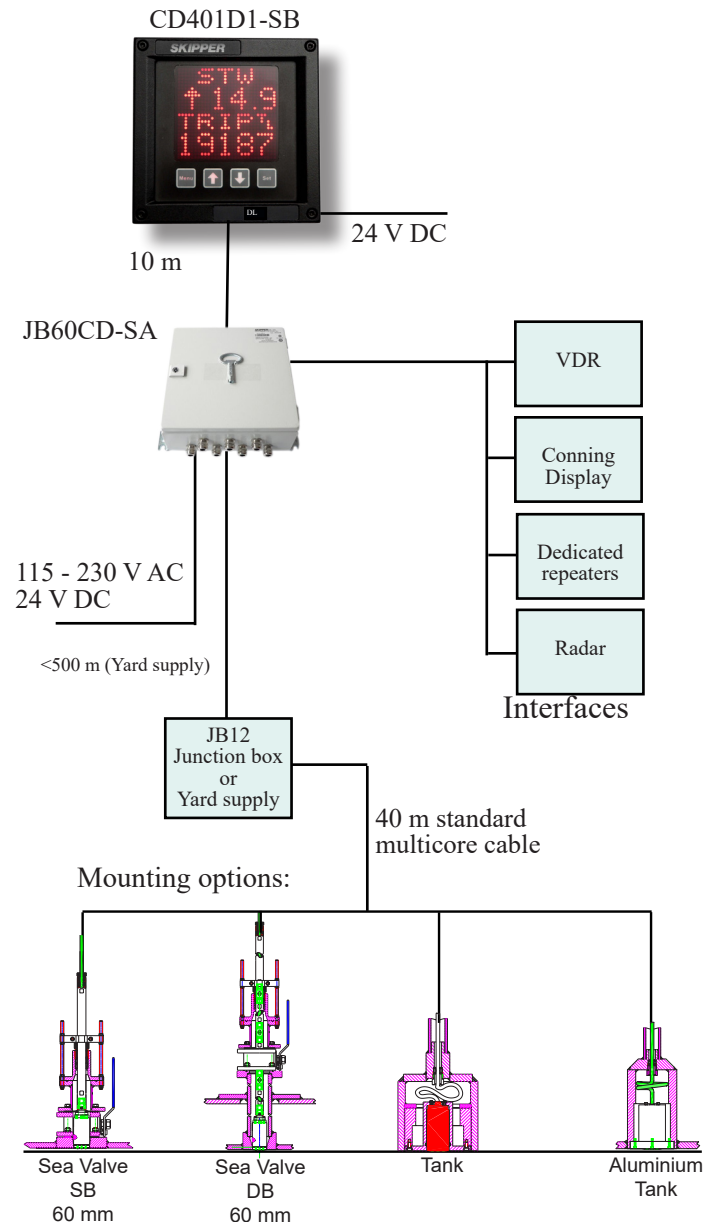
SKIPPER DL1

Single Axis Speed through water Doppler Speed Log

Specifications

Overview

Log	SKIPPER DL1
Number of Axis	1
Speed range Long	±50 knots
Water track measuring distance from sensor	0.5m - 3m
Minimum water depth below transducer	3m
Accuracy (better than)	0.2knots or 2 % whichever is greater
Speed resolution	0.1
Temperature accuracy	Better than 1 °C
Temp resolution	0.1
Operating frequency	715kHz
Display	28 x 30 LED's
Mounting dimensions	124mm x 124mm Bracket or panel mounting
Front plate	144mm x 144mm to DIN standard
Cabinet mounting depth with cable	90mm
Weight cabinet	2.5kg
Standard cable length for display	10m
Standard cable length for sensor	40m
Mounting	
Gatevalve:	
Single bottom	Yes
Double bottom	Yes
Tank:	
Steel	Yes
Aluminium	Yes
Retrofit available for Sagem, Simrad NL, Sperry, SAM and Atlas	
Outputs	- 2 x NMEA 0183 - 1 x isolated output (pulse) - Relay for power failure
Inputs	- 1 NMEA 0183 (OPTO isolated) - External Dimming (pulse)
Outputs	
Speed	VBW, VHW
Distance	VLW
Others	MTW (temp)
Power supply	AC: 115 - 230 V 50/60 Hz DC: 24 V
Power consumption	Max. 30 W
Certified for MED B (Wheelmark)	IEC61023, IEC60945, C61162-1/2, IEC62288
Language	English



SKIPPER Electronics AS
 Enebakkveien 150
 P.O.Box 151, Manglerud
 0612 Oslo, Norway
 E-mail: sales@skipper.no
 www.skipper.no

